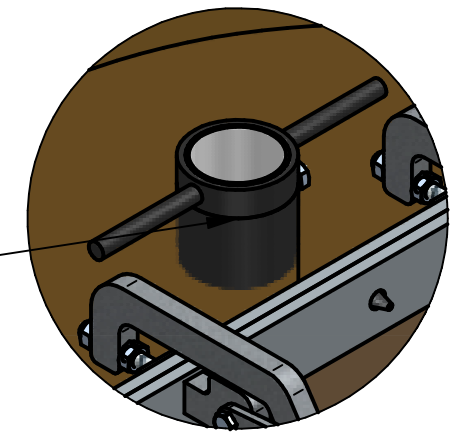
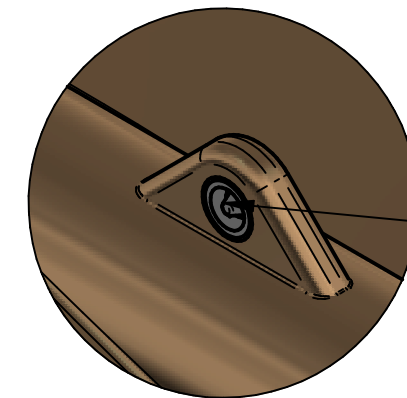


DETAIL VIEW A

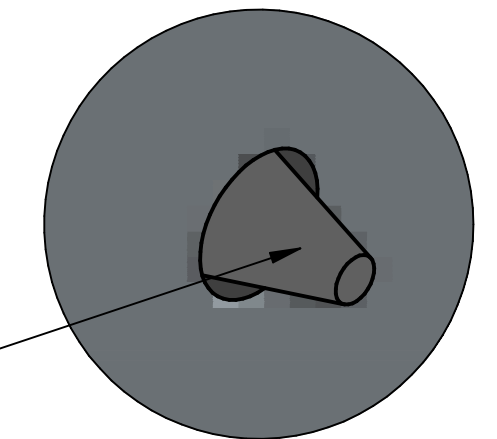


Ventilation

DETAIL VIEW B



DETAIL VIEW C



Location pin

DETAIL VIEW D

